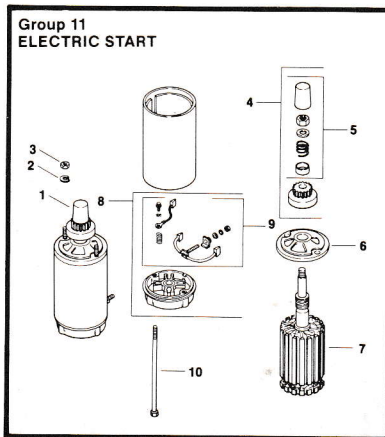
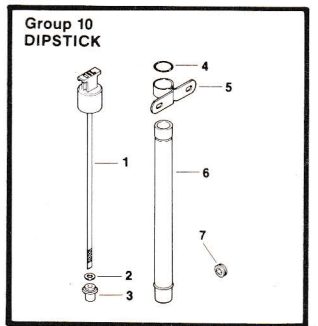
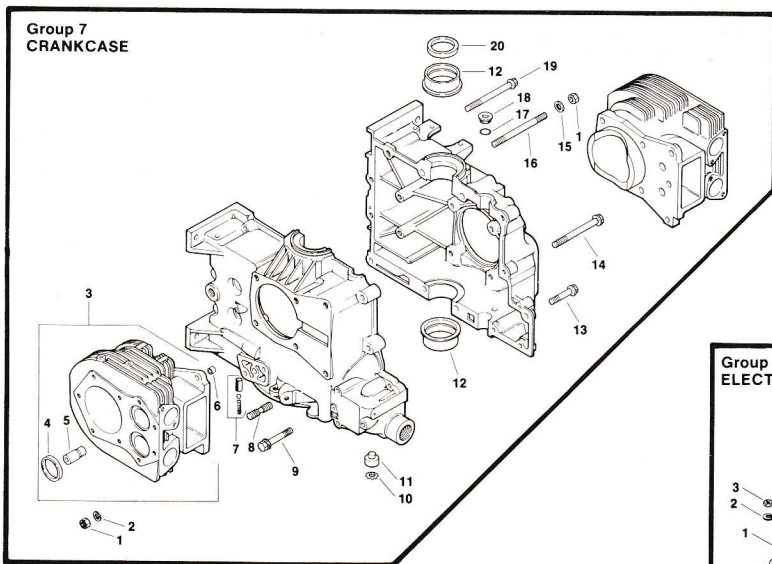
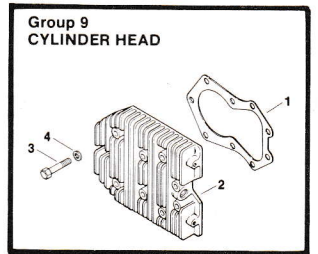
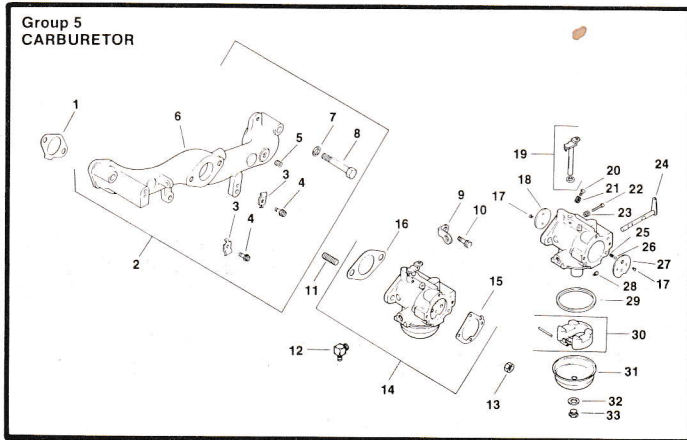
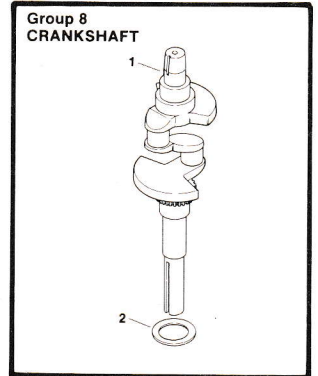
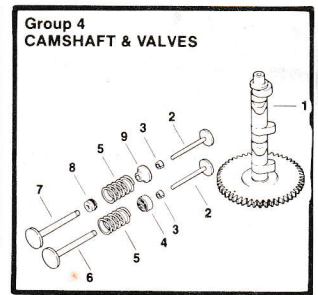
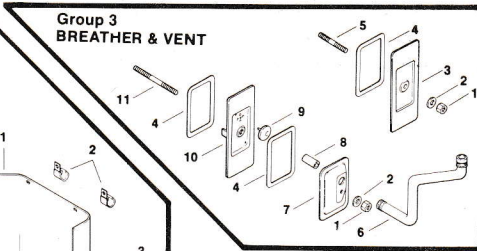
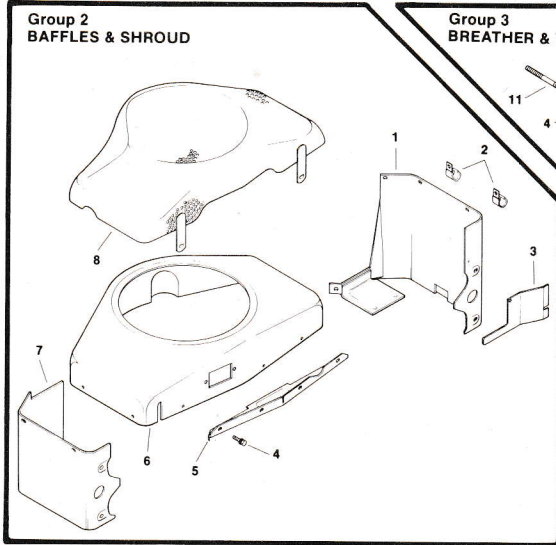
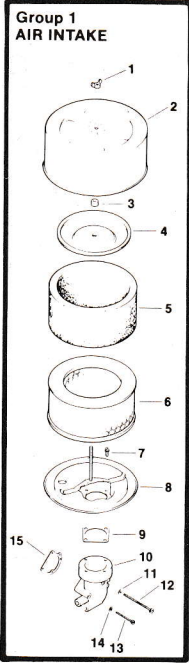
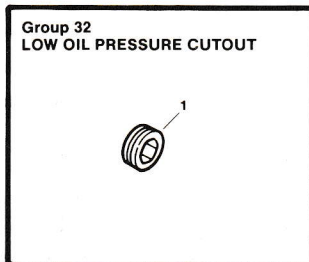
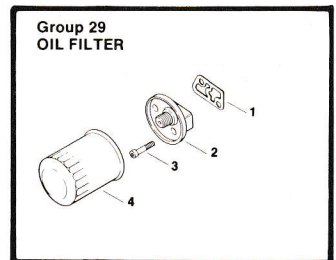
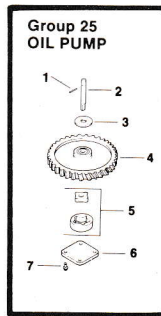
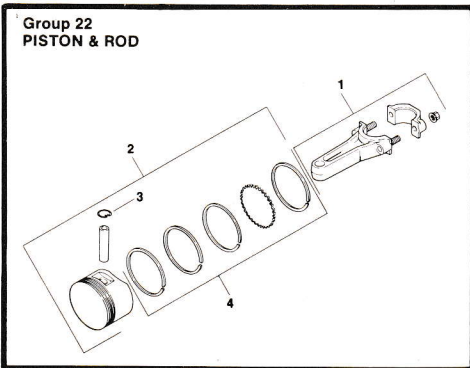
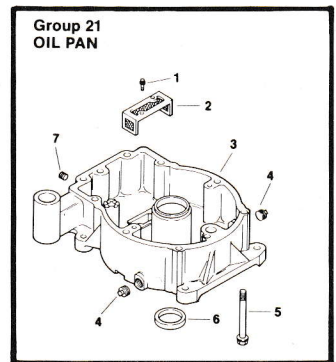
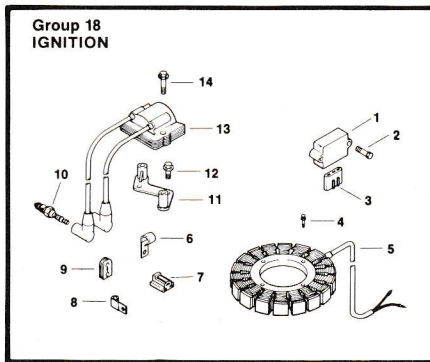
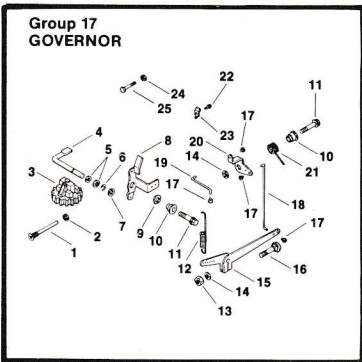
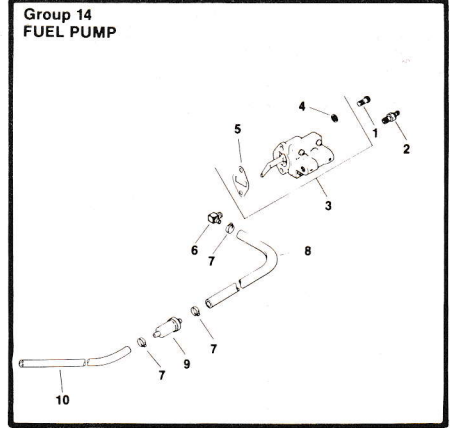
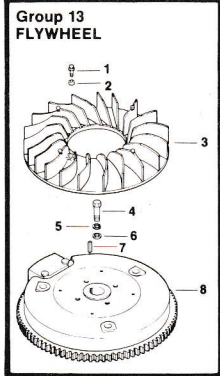
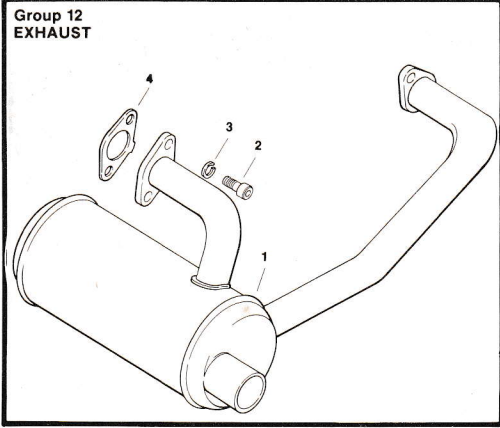




**KOHLER ENGINE PARTS LIST
MODEL MV18S
18 H.P.
SPEC 58516**





<u>ITEM NO.</u>	<u>KOHLER PART NO.</u>	<u>GRAVELY PART NO.</u>	<u>DESCRIPTION</u>
<u>AIR INTAKE - GROUP 1</u>			
1	X-276-7	10413	Wing nut 1/4-20
2	45 082 01	34767	Cover, air cleaner
3	231032	10772	Seal, element cover
4	52 082 04	35336	Cover, air cleaner element
5	45 083 01	34768	Precleaner
6	45 083 02	34766	Element
7	X-67-98	42688	Screw, hex. wash. hd. 10-32x9/16 (4)
8	52 094 06	44186	Base, air cleaner
9	277093	35339	Gasket, air cleaner
10	52 054 32	44187	Elbow, air cleaner
11	X-25-79	10921	Washer, plain #10
12	X-50-37	32604	Screw, sltd. pan hd. 10-32x2-1/4
13	X-50-57	32605	Screw, sltd. pan hd. 10-32x1-1/2 (2)
14	X-22-9	14773	Washer, I.T. #10 (2)
15	277069	44043	Gasket, elbow
	25 113 07	44013	Decal, air cleaner instruction

BAFFLES AND SHROUD - GROUP 2

1	52 063 21	42369	Baffle, #2 cylinder head
2	48 154 01	44188	Clip (2)
3	52 063 01	32530	Baffle, cylinder top
4	X-67-83	32612	Screw, hex. wash. hd. 1/4-20x7/16 (20)
5	52 217 01	32568	Support, upper housing
6	52 027 26	44189	Housing, blower
7	52 124 23	33932	Baffle, #1 cylinder head
8	52 162 24	44190	Screen, fixed grass

BREATHER AND VENT - GROUP 3

1	X-81-1	44028	Nut, hex. 1/4-20 (2)
2	X-25-12	131015	Washer, plain 1/4 (2)
3	52 096 18	32542	Cover, #2 cylinder valve
4	52 055 01	32528	Gasket, cover (3)
5	X-352-39	32600	Stud, #2 cyl. valve cover 1/4-20x2-1/4
6	52 326 12	44191	Hose, breather
7	52 096 08	32544	Cover, #1 upper cyl. valve
8	52 032 04	32517	Seal, breather
9	52 462 01	32578	Valve, umbrella
10	52 096 22	32545	Cover, #1 lower cyl. valve
11	275220	10774	Stud, #1 cyl. valve cover 1/4-20x3-1/4

CAMSHAFT AND VALVES - GROUP 4

1	52 012 07	42314	Camshaft
2	52 019 03	42315	Tappet (4)
3	41 755 10	10785	Kit, retainer (4)
4	52 413 01	42320	Rotator, exhaust valve (2)
5	25 089 01	42316	Spring, valve (4)
6	52 016 02	42371	Valve, exhaust (2)
7	52 017 08	42370	Valve, intake (2)
8	52 032 13	42317	Seal, intake valve stem (2)
9	230011	10781	Retainer, intake valve spring (2)

<u>ITEM NO.</u>	<u>KOHLER PART NO.</u>	<u>GRAVELY PART NO.</u>	<u>DESCRIPTION</u>
<u>CARBURETOR - GROUP 5</u>			
1	52 041 09	32521	Gasket, manifold (2)
2	52 755 91	44192	Kit, manifold (Includes 3 through 8)
3	235778	32488	Clamp (2)
4	X-67-97	32614	Screw, hex. wash. hd. 10-24x3/8 (2)
5	X-75-23	39259	Plug, hex. ctsk 1/8 N.P.T.F.
6	52 164 15	44193	Manifold, intake
7	X-25-44	44194	Washer, plain 5/16 (4)
8	X-6-29	44195	Screw, H.C. 5/16-18x2 (4)
9	232867	24906	Strap, lifting
10	X-67-62	42406	Screw, hex. wash. 1/4-20x5/8
11	X-352-37	32598	Stud 5/16-18x1 (2)
12	25 155 02	14745	Connector, 90 degree hose
13	X-77-2	44196	Nut, hex. 5/16-18 (2)
14	52 853 05	44197	Carburetor w/gasket assembly (Includes 15 through 33)
15	277069	44043	Gasket, elbow
16	271030	10805	Gasket, carburetor
17	25 086 27	44046	Screw, throttle and choke plate (4)
18	25 146 02	44051	Plate, throttle
19	52 144 16	44050	Shaft, throttle w/lever and seal
20	25 368 01	44053	Needle, idle fuel adj.
21	25 089 02	44052	Spring, idle fuel
22	25 086 26	44055	Screw, idle speed adj.
23	25 089 04	44054	Spring, idle speed
24	52 090 13	44056	Lever, choke
25	25 089 03	44049	Spring, choke friction
26	25 194 01	44198	Ball, choke friction
27	25 146 03	44047	Plate, choke
28	52 337 03	44057	Jet, main
29	25 041 04	44058	Gasket, bowl
30	25 757 09	44059	Kit, float
31	25 104 01	44060	Bowl, fuel
32	25 041 03	44061	Gasket, bowl retainer screw
33	25 100 05	44062	Nut, bowl
	25 757 08	44063	Kit, carburetor repair
	52 755 74	44067	Kit, high altitude

CRANKCASE - GROUP 7

1	X-82-2	44199	Nut, hex. 5/16-18 (16)
2	52 468 12	44200	Washer, flat 5/16 (12)
3	52 755 81	44201	Kit, cylinder barrel (2) (Includes 4 through 6)
4	230265	12362	Insert, valve seat (4)
5	52 316 06	32674	Guide, valve (4)
6	52 158 04	42373	Bushing (2)
7	52 755 50	40771	Kit, oil relief
8	52 072 12	42327	Step stud 5/16-18x3/4, 3/8-16x5/8, 2" long (12)
9	25 086 12	42333	Screw, hex. flange 5/16-18x2 (2)
10	X-269-43	32593	Ring, retaining
11	52 078 05	42332	Shaft, governor

<u>ITEM NO.</u>	<u>KOHLER PART NO.</u>	<u>GRAVELY PART NO.</u>	<u>DESCRIPTION</u>
<u>CRANKCASE - GROUP 7 (CONTINUED)</u>			
12	52 030 10	37951	Bearing, sleeve Std. (2)
	52 030 11	34075	Bearing, sleeve .020
	52 303 12	44291	Bearing, sleeve .010
13	25 086 10	42329	Screw, hex. flange 5/16-18x1-1/2 (3)
14	25 086 13	42328	Screw, hex. flange 3/8-16x3-5/8 (2)
15	41 468 01	32682	Washer, plain (4)
16	X-352-33	32676	Stud 5/16-18x4-1/8 (2)
17	52 141 02	37949	O-ring
18	52 139 08	37946	Plug
19	25 086 11	42335	Screw, hex. flange 5/16-18x3-1/2 (6)
20	52 032 10	33939	Seal, front oil

CRANKSHAFT - GROUP 8

1	52 014 93	44292	Crankshaft (3-5/32x1" tapped PTO)
2	52 468 03	32579	Washer, thrust .119/.122 (A.R.)
	52 468 04	32683	Washer, thrust .128/.131
	52 468 05	32684	Washer, thrust .137/.140 (A.R.)

CYLINDER HEAD - GROUP 9

1	52 041 18	38031	Gasket, head (2)
2	52 015 08	32508	Head, cylinder (2)
3	41 086 02	32491	Screw, hex head 5/16-18x1-1/2 (18)
4	220534	15412	Washer, plain 5/16 (18)

DIPSTICK - GROUP 10

1	52 038 08	44293	Dipstick 13-1/2" blade
2	X-25-44	44294	Washer, plain 5/16
3	52 032 14	44295	Seal, rubber
4	41 153 01	43969	O-ring
5	52 126 11	44296	Bracket, oil tube support
6	52 123 20	44297	Tube, oil fill 11-7/8"
7	47 139 01	34748	Plug, hex. ctsk. 3/4" N.P.T.F.

ELECTRIC START - GROUP 11

1	52 098 03	32546	Starter assembly (includes 4-10)
2	X-20-1	120380	Washer, lock 1/4 (2)
3	X-81-1	44028	Nut, hex 1/4-20 (2)
4	52 755 05	32584	Kit, drive (Includes 5)
5	52 755 08	32585	Kit, drive parts
6	52 227 01	32569	Cap, drive end
7	52 170 02	32564	Armature
8	48 227 04	24875	Cap, commutator end (Includes 9)
9	48 755 15	18610	Kit, brush and spring
10	52 211 01	32567	Bolt, thru 1/4-20x5-7/8 (2)

<u>ITEM NO.</u>	<u>KOHLER PART NO.</u>	<u>GRAVELY PART NO.</u>	<u>DESCRIPTION</u>
<u>EXHAUST - GROUP 12</u>			
1	52 068 32	44389	Muffler
2	X-55-6	421705	Screw, hex. socket hd. 5/16-18x3/4 (4)
3	X-21-1	32588	Washer, lock 5/16 (4)
4	52 041 14	44390	Gasket, exhaust (2)

FLYWHEEL - GROUP 13

1	25 086 21	42341	Screw, hex. wash. hd. 1/4-20x5/8 (4)
2	25 112 04	42340	Spacer 1/8" (4)
3	25 175 01	44298	Fan
4	25 086 24	34179	Screw, hex. mach. 3/8-24x1-1/4
5	X-22-1	120381	Washer, lock 3/8
6	52 114 02	32552	Washer, plain 3/8" I.D., 1-3/8" O.D.
7	X-286-17	15987	Key, square 3/16x7/8
8	52 025 36	42338	Flywheel

FUEL PUMP - GROUP 14

1	47 086 08	32587	Screw, pozidriv T.H. 1/4-20x5/8 (2)
2	X-380-1	24939	Connector, straight hose
3	52 559 01	32581	Pump, fuel assembly
4	X-25-63	32685	Washer, plain 1/4 (2)
5	25 041 05	44020	Gasket, fuel pump
6	25 155 02	14745	Connector, hose 90 degrees
7	X-426-9	22146	Clamp, hose (4)
8	52 353 04	39272	Line, fuel 1/4 I.D. x 9" long
9	25 050 01	40742	Filter, fuel
10	25 353 03	44299	Hose 1/4 I.D. x 13-1/2" long

GOVERNOR - GROUP 17

1	231355	10833	Pin, governor stop
2	X-25-12	131015	Washer, plain 1/4
3	A-235743-S	10823	Kit, governor gear
4	52 078 04	32497	Shaft, governor cross
5	X-25-102	32591	Washer, plain 1/4 (2)
6	X-269-28	32592	Retainer, governor
7	X-25-63	32685	Washer, plain 1/4
8	52 090 15	44300	Lever, speed control
9	277341	44301	Washer, tension
10	52 158 07	44302	Bushing, lever (2)
11	25 086 15	42347	Screw, hex. wash. hd. 1/4-20x1 (2)
12	52 089 07	44303	Spring, governor
13	X-81-1	44028	Nut, hex. 1/4-20
14	X-25-72	10954	Washer, plain 1/4 (2)
15	52 186 09	44304	Arm, governor
16	52 211 04	32620	Screw, R.H. sq. neck 1/4-20x1
17	25 158 08	44305	Bushing, linkage retaining (4)
18	52 079 07	44306	Linkage, governor
19	52 079 06	44307	Linkage, throttle
20	52 090 14	44308	Lever, throttle
21	52 089 08	44309	Spring, torsion
22	X-67-97	32614	Screw, hex. wash. hd. 10-24x3/8 (3)
23	235778	32488	Clamp (3)
24	X-70-3	44310	Nut, hex. 10-32
25	52 086 05	44311	Screw, hex. hd. 10-32x7/8

<u>ITEM NO.</u>	<u>KOHLER PART NO.</u>	<u>GRAVELY PART NO.</u>	<u>DESCRIPTION</u>
<u>IGNITION - GROUP 18</u>			
1	41 403 05	32492	Regulator/rectifier
2	X-5-3	32603	Screw, H.C. sems 1/4-20x7/8 (2)
3	236602	32489	Connector, female (3 contact)
4	X-67-51	32609	Screw, H.C. 10-24x3/4 (4)
5	237878	18626	Kit, stator
6	235173	44312	Clip
7	236473	12048	Connector, male (3 contact)
8	48 154 02	40780	Clamp (2)
9	52 313 02	42346	Grommet
10	51 132 02	32499	Spark plug (2)
11	52 126 08	42350	Bracket, module
12	25 086 16	42349	Screw, hex. wash. hd. 1/4-20x7/8 (2)
13	52 584 02	42348	Module, ignition w/diode
14	25 086 15	42347	Screw, hex. wash. hd. 1/4-20x1 (2)
	47 518 33	44313	Lead, violet rectifier/regulator (11" - 14 gauge - uninsulated push on tab terminals)
	52 518 17	44314	Lead, white, module to connector (12-1/2" - 18 gauge - uninsulated push on tab and insulated push on tab terminals)

OIL PAN - GROUP 21

1	X-67-64	32610	Screw, hex. wash. hd. 10-32x7/16 (2)
2	52 050 03	44315	Filter, oil pickup
3	52 199 01	44316	Oil pan
4	X-75-10	103879	Plug, sq. solid hd. 3/8 N.P.T.F. (2)
5	52 086 12	44317	Screw, hex. wash. hd. 5/16-18x3-1/4 (9)
6	52 032 10	33939	Seal, rear oil
7	X-75-38	44322	Plug, hex. ctsk. 1/4 N.P.T.F.

PISTON AND ROD - GROUP 22

1	52 067 67	40783	Connecting rod (Std.) (2)
	52 067 68	40784	Connecting rod (.010) (2)
2	52 874 11	41019	Piston w/ring set (Std.) (2)
	52 874 12	41020	Piston w/ring set (.003) (2)
	52 874 13	41021	Piston w/ring set (.010) (2)
	52 874 14	41022	Piston w/ring set (.020) (2)
	52 874 15	41023	Piston w/ring set (.030) (2)
3	230004	15628	Retainer, piston pin (4)
4	52 108 09	40790	Ring set (Std. & .003) (2)
	52 108 10	40791	Ring set (.010) (2)
	52 108 11	40792	Ring set (.020) (2)
	52 108 12	40793	Ring set (.030) (2)

<u>ITEM NO.</u>	<u>KOHLER PART NO.</u>	<u>GRAVELY PART NO.</u>	<u>DESCRIPTION</u>
<u>OIL PUMP - GROUP 25</u>			
1	X-280-25	32594	Pin, roll
2	52 144 05	32557	Shaft, oil pump
3	52 422 01	32575	Spacer, shim (A.R. Max. 2)
4	52 043 05	37968	Gear, oil pump
5	52 393 20	44323	Rotor set
6	52 096 03	32543	Cover, oil pump
7	X-67-64	32610	Screw, hex. wash. hd. 10-32x7/16 (4)
<u>OIL FILTER - GROUP 29</u>			
1	52 041 16	42363	Gasket, oil filter
2	52 181 02	42364	Adapter, oil filter
3	X-55-15	42365	Screw, socket hd. cap 5/16-18x1-1/4 (2)
4	52 050 02	42366	Oil filter
<u>LOW OIL PRESSURE SWITCH - GROUP 32</u>			
1	52 139 07	37953	Plug, hex. ctsk. 1/16-27 N.P.T.F.
	52 522 78	44324	Short Block
	52 755 53	42367	Gasket Set